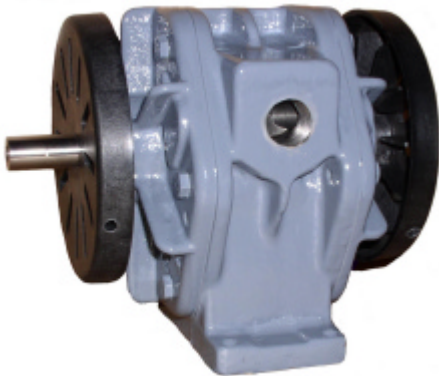




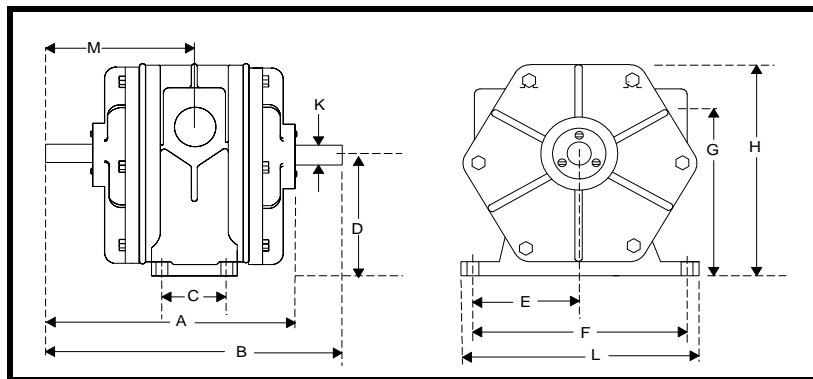
Model 3

Dry Air Vacuum Pump



INCHES

A	8.25
B	10.0
C	2.25
D	4.36
E	3.125
F	6.25
G	5.25
H	7.5
K	.75
L	7.0
M	5.0



* **Versatile Shaft Designs**

Clockwise, Counter Clockwise or Double Shaft to fit any installation need.

* **Provides Clean Pulse Free Air For Vacuum and Pressure Applications**

* **Virtually Maintenance Free Operation**

* **Available In A Variety Of Pump/Motor Packages To Tailor Your Air Flow Needs With Horsepower Requirements**

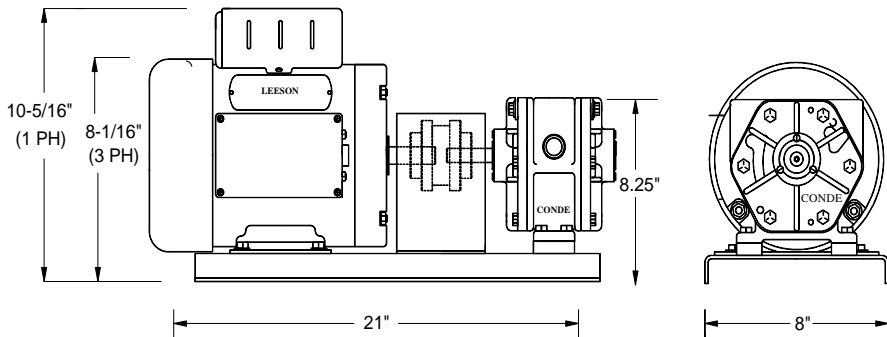
* **Units Complete With Filters, Check Valve And Relief Vavles**

* **Gastite Model Available For Leak Free Operation**

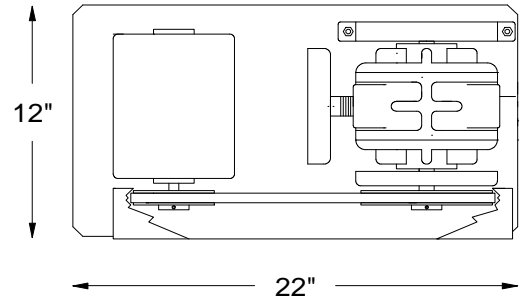
* **Ideal Vacuum Applications Up To 20" Hg Continuous Operation, 24" Hg Intermittent, Or Pressures Up To 10 PSIG Continuous, 15 PSI Intermittent**

DIMENSIONAL SPECIFICATIONS

Direct Drive Dimensions



Belt Drive Dimensions



TECHNICAL SPECIFICATIONS

*** MAXIMUM AIR FLOW (Vac.)**

20 Cubic Feet per minute @ free air RPM

*** HORSEPOWER REQUIREMENTS**

1/3 hp to 2 hp

*** SPEED RANGE**

1100 RPM to 1750

*** MAXIMUM PRESSURE**

15 PSI Intermittent, 10 PSI Continuous

*** WEIGHT**

35 LBS. (Pump Only)

*** PORT SIZE**

3/4 Inch NPT

*** MAXIMUM VACUUM**

***SHAFT DIAMETER**

Options

- * Relief Valve
- * Inlet and Outlet Filters
- * Mechanical Seals
- * Single or Three Phase Motors
- * Direct Drive or Belt Drive

PERFORMANCE SPECIFICATIONS

VACUUM

In. Hg	1200		1350		1500		1750	
	CFM	HP	CFM	HP	CFM	HP	CFM	HP
2	13.0	1/3	14.6	1/2	15.9	3/4	17.7	3/4
4	11.9	1/2	13.7	3/4	14.8	3/4	16.5	1
6	10.9	1/2	12.6	3/4	13.5	3/4	15.2	1
8	10.0	3/4	11.4	3/4	12.4	1	13.9	1
10	9.0	3/4	10.2	1	11.0	1	12.7	1
12	7.9	3/4	9.1	1	9.7	1	11.1	1-1/2
14	7.0	1	7.8	1-1/2	8.5	1-1/2	9.6	1-1/2
16	6.2	1	6.8	1-1/2	7.4	1-1/2	8.4	1-1/2
18	5.1	1	5.5	1-1/2	6.1	1-1/2	6.9	1-1/2
20			4.1	1-1/2	4.8	1-1/2	4.4	1-1/2
22					3.4	1-1/2	4.0	1-1/2
24					2.4	1-1/2	2.8	2

PRESSURE

PSIG	1200		1350		1500		1750	
	CFM	HP	CFM	HP	CFM	HP	CFM	HP
2	13.9	1/2	15.1	3/4	17.1	1/3	19.3	1
4	13.0	3/4	14.5	3/4	16.5	1/3	18.9	1
6	11.4	3/4	13.7	1	15.6	1/3	17.8	1-1/2
8	10.4	3/4	12.6	1-1/2	15.1	1/3	17.4	2
10	8.4	1	11.4	1-1/2	14.1	1/3	16.4	2
12					13.2	2	15.6	2

906 West Hamilton Avenue
Sherrill, New York 13461

Phone: 800-367-0972

Fax: 315-363-0193

Conde' Pumps

Visit us on the world wide web at:

www.westmoorltd.com